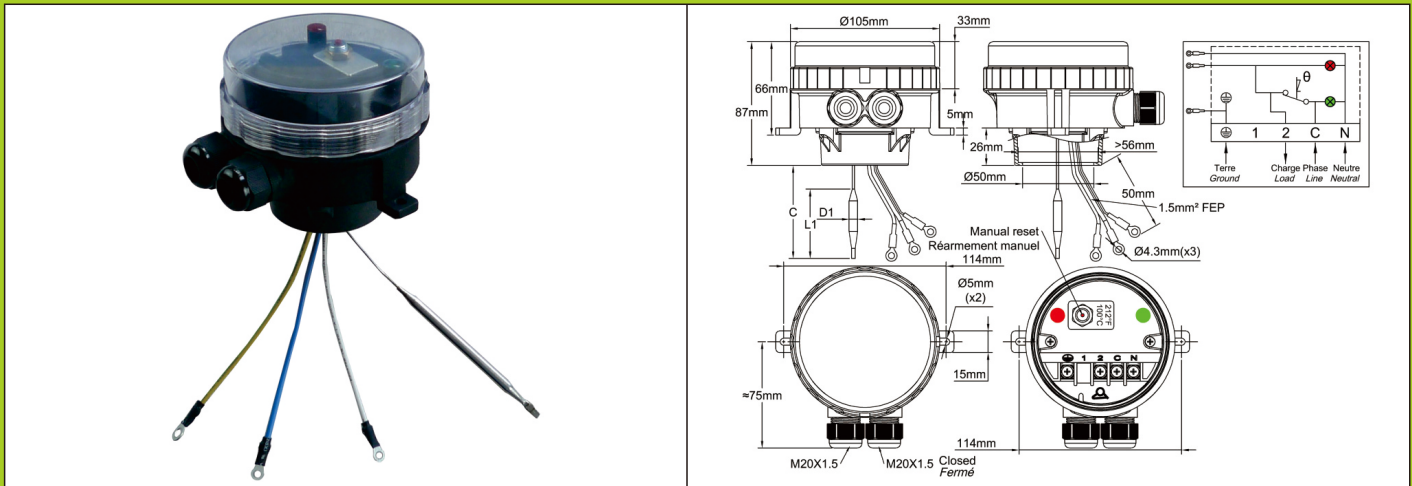


Fixed setting, immersion heater limiter, fail safe

Enclosure	Type	Operation	Contact	Measurement	Ranges °C	Models
IP66,IK10	Manual reset	Mechanical	SPNC	Immersion heater		YF8LNC
Material						
PA66 & PC						



Applications

-Equipment requesting a very strong resistance to water ingress. The transparent cover allows to visualize the set point and the 2 pilot lights

Fully wired sub assembly for use as high limit on immersion heater elements, 1" 1/2 or M45x2 with double thread or rotation ring. Applications in usual industrial applications and environments, non-hazardous areas.

Housing: Protection class IP 66 upon EN 60529 (waterproof spray water under high pressure and sea splashes, totally dust tight). Body in black PA66, fiber glass reinforced. The transparent polycarbonate cover can be unscrewed by hand, but it is also possible to use a hook spanner. A removable adapter is screwed at the bottom of the enclosure. It fits the usual immersion heater fittings. Mechanical impact resistance : IK10. High UV resistance..

Set point adjustment: Factory set. Not adjustable by user

Action: Manual reset limiter, fail safe

Sensing element: Liquid expansion bulb and capillary. The bulb and the capillary go out by the bottom of the enclosure to fit in the heater pocket.

Pilot lights: One pilot light visualizes the thermostat contact output position. The other visualizes the power supply input. Phase and neutral electrical line supply are mandatory for these pilot lights.

Set point adjustment values: 80±8°C (176±15°F), 90±8°C (194±15°F), 110±8°C (230±15°F). Other values can be set between 30°C and 110°C (85°F and 230°F)

Cable input and output: Two M20 cable glands, built-in black PA66. One of them is closed.

Electrical connections: Inside, on screw terminal connection block. It is possible to connect 2 wires 1.5mm² on each terminal.

Earthing: Internal screw terminal and wire with round hole terminal for the immersion heater.

Mounting: By the immersion heater thread or by 2 legs with holes for screws dia. 4 to 5 mm, 114 mm distance.

Identification: Identification label on backside. Set point calibration is printed in °C and °F beside the manual reset button.

Contact: Single pole, open on rise (SPNC)

Electrical rating: 16A res. 250/400VAC

-Electrical life >6.000 cycles.

Minimum storage temperature: -35°C (-30°F)

Maximum ambient temperature: 60°C (140°F)

For more technical information see 8L limiter technical data sheet

Main references

Calibration temperature °C (°F)	References	Capillary length (C, mm)	Bulb diameter (D1, mm)	Bulb length (L1, mm)	Minimum resettable temperature °C (°F)	Max temperature on bulb °C (°F)
80±8°C (176±15°F)	YF8LNC25080026ZJ	200	6	86±5	52°C (126°F)	105°C (220°F)
80±8°C (176±15°F)	YF8LNC25080036ZJ	300	6	86±5	52°C (126°F)	105°C (220°F)
80±8°C (176±15°F)	YF8LNC25080046ZJ	400	6	86±5	52°C (126°F)	105°C (220°F)
80±8°C (176±15°F)	YF8LNC25080056ZJ	500	6	86±5	52°C (126°F)	105°C (220°F)
90±8°C (194±15°F)	YF8LNC25090026ZJ	200	6	98±5	60°C (140°F)	115°C (240°F)
90±8°C (194±15°F)	YF8LNC25090036ZJ	300	6	98±5	60°C (140°F)	115°C (240°F)
90±8°C (194±15°F)	YF8LNC25090046ZJ	400	6	98±5	60°C (140°F)	115°C (240°F)
90±8°C (194±15°F)	YF8LNC25090056ZJ	500	6	98±5	60°C (140°F)	115°C (240°F)
110±8°C (230±15°F)	YF8LNC25110026ZJ	200	6	98±5	75°C (167°F)	135°C (275°F)
110±8°C (230±15°F)	YF8GNC25110036ZJ	300	6	98±5	75°C (167°F)	135°C (275°F)
110±8°C (230±15°F)	YF8GNC25110046ZJ	400	6	98±5	75°C (167°F)	135°C (275°F)
110±8°C (230±15°F)	YF8GNC25110056ZJ	500	6	98±5	75°C (167°F)	135°C (275°F)